

# LAMILUX Glass Skylight FE 3°.

## Technical data sheet.

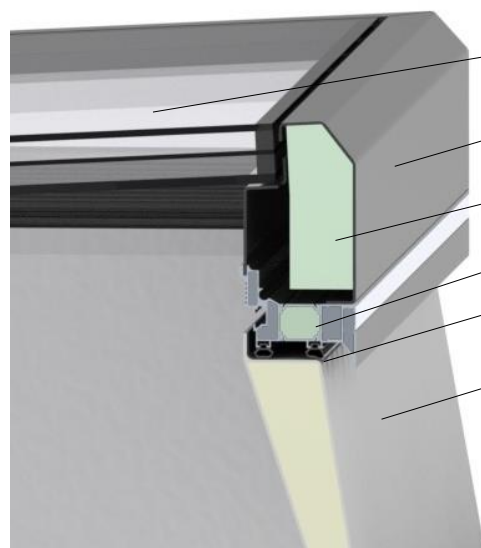


The Glass Skylight FE 3° is the aluminium framed modular skylight which can be integrated in both residential and commercial buildings. Water and dirt run naturally off the 3° inclined framework whilst the stepless transition between the frame profile, both internally and externally, gives a visually appealing seamless design to compliment your choice of framework RAL colour. Available in a comprehensive list of 39 standard sizes up to 2500x2500mm, the Glass Skylight FE 3° benefits from enhanced isothermal characteristics in the overall construction – this results in no condensation whilst achieving maximum energy efficiency and thermal insulation alongside excellent air tightness values.

## Installation suitability.

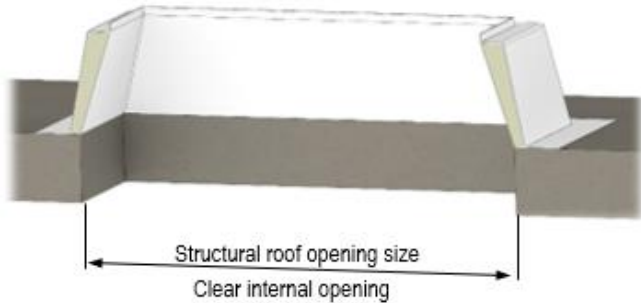
Suitable for flat roofs, and roofs up to a 25° pitch

## Materials.



- Glazing: Toughened outer and laminated safety inner
- Frame: 3° inclined thermally broken aluminium frame (your choice of RAL colour)
- Insulation core: Thermally optimised insulation core
- PU foam insulation core
- Multi layered airtight double sealing system
- Upstand: Thermally insulated GRP with seamless silk-white interior finish (RAL 9016)

## Dimensions.



Structural roof opening size (mm)	Upper part	
	Double glazed	Triple glazed
500 x 1000	•	•
500 x 1500	•	•
600 x 600	•	•
600 x 900	•	•
600 x 1200	•	•
700 x 1350	•	•
800 x 800	•	•
800 x 1500	•	•
900 x 900	•	•
900 x 1200	•	•
900 x 1450	•	•
1000 x 1000	•	•
1000 x 1500	•	•
1000 x 2000	•	•
1000 x 2400*	•	•
1000 x 2500*	•	•
1000 x 3000**	•	•

Structural roof opening size (mm)	Upper part	
	Double glazed	Triple glazed
1200 x 1200	•	•
1200 x 1500	•	•
1200 x 1800	•	•
1200 x 2400**	•	•
1200 x 2500**	•	•
1200 x 2700**	•	•
1250 x 1250	•	•
1250 x 2500**	•	•
1400 x 1400	•	•
1500 x 1500	•	•
1500 x 1800	•	•
1500 x 2000	•	•
1500 x 2100**	•	•
1500 x 2400**	•	•
1500 x 1500	•	•
1500 x 2700**	•	•
1500 x 3000**	•	
1800 x 1800	•	•
1800 x 2400**	•	•
1800 x 2500**	•	
1800 x 2700**	•	
2000 x 2000	•	•

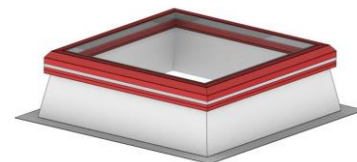
\*dimensions marked with \* are currently not CWCT Class 2 Non-fragile **but are** TN92 deemed to conform.

\*\*dimensions marked with \*\* are currently not CWCT Class 2 Non-fragile **or** TN92 deemed to conform.

Please call us to confirm specific fragility requirements.

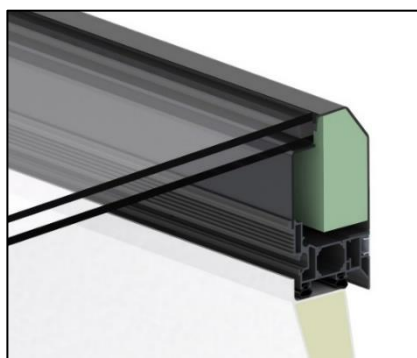
## Upper part - framework.

The aluminium framework can be coated in any single RAL colour as standard. Optionally dual powder coating is available if different internal and external finishes are preferred.



## Upper part - glazing.

Glazing structurally bonded into the frame giving a flush edge finish, creating an unobstructed drain for rainwater and removal of dirt and debris build up at the cill.



Double glazed



Triple glazed

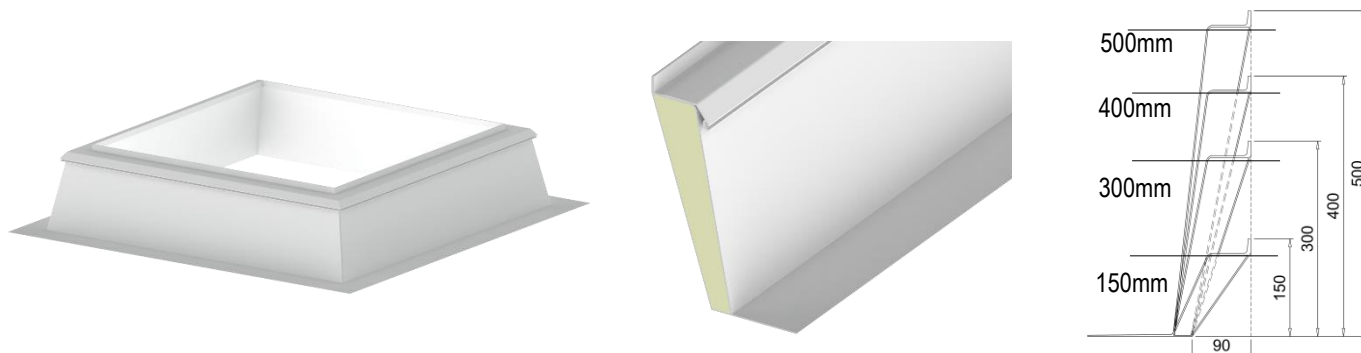
Type	Glass outside (Toughened)	Spacer	Glass Centre	Spacer	Glass inside (Laminated)	Light Transmission	Total energy transmittance	Sound insulation value Rw,p	Ug-Value (W/m²k)
Double glazed – standard	6mm	20	-	-	8mm	80%	0.62	C. 38dB	1.1 (W/m²k)
Double glazed - solar control coating 50/25	6mm	20	-	-	8mm	52%	0.28	C. 38dB	1.1 (W/m²k)
Double glazed - solar control coating 60/30	6mm	20	-	-	8mm	60%	0.33	C. 38dB	1.1 (W/m²k)
Double glazed - solar control coating 70/37	6mm	20	-	-	8mm	68%	0.37	C. 38dB	1.0 (W/m²k)
Double glazed – sound insulation 45dB	10mm	16	-	-	8mm	79%	0.55	C. 45dB	1.1 (W/m²k)
Triple glazed - standard	6mm	16	4mm	16	8mm	72%	0.51	C. 39dB	0.6 (W/m²k)
Triple glazed - solar control coating 50/25	6mm	16	4mm	16	8mm	45%	0.25	C. 39dB	0.6 (W/m²k)
Triple glazed - solar control coating 60/30	6mm	16	4mm	16	8mm	55%	0.30	C. 39dB	0.6 (W/m²k)
Triple glazed - solar control coating 70/37	6mm	16	4mm	16	8mm	62%	0.34	C. 39dB	0.6 (W/m²k)

## Upstand.

Upstand is delivered pre-assembled to the upper part for quick and easy site installation. PVC cap flashing on GRP upstand as standard.

Standard upstand in a choice of heights: 150mm / 300mm / 400mm / 500mm.

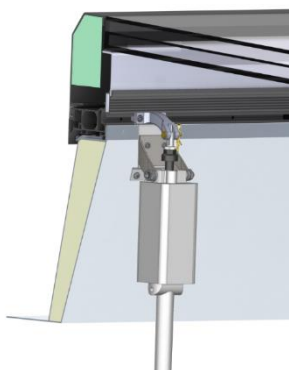
700mm high upstand also available in sizes: 900/900, 900/1200, 900/1450, 1000/1000, 1200/1200, 1500/1500, 1800/1800 and 1500/2500.



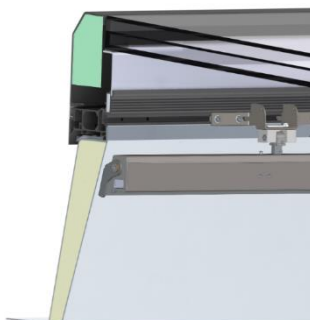
Note: For bespoke sizes the upper part will be supplied with a fit adapter, instead of an upstand, to fix to site supplied upstand.

## Ventilation details.

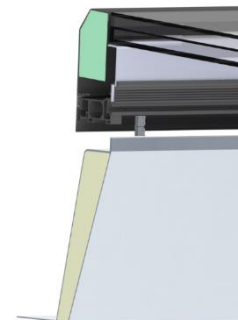
Spindle opener



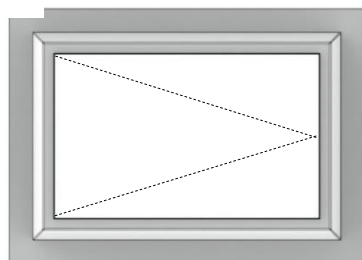
Chain drive (visible)



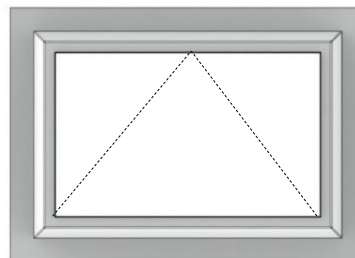
Chain drive (concealed)\*



Hinged as standard on the short side

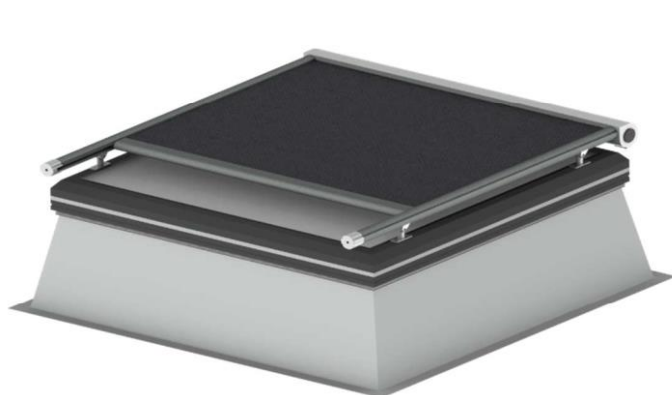


Optional on the long side



\*Only available with limited sizes / glazing. Please call us to confirm if this is possible with your specific project requirements.

## Shading options.



### External shading - fabric blind

- 230V motor operation (switch not included).
- Wind Load to Class 3 according to EN 13561 (38-48 km/h)
- For installation inclination  $<14^\circ$  risk of water ponding
- Warning: Leave blind retracted and do not use in snowy / frosty conditions

### Standard Frame Colours:

Ral 9016 – Traffic White	5233 – Cream White*
Ral 9006 – White Aluminium	5229 – Havanna Brown*
Ral 8019 – Grey Brown	5215 – Stone Grey Metallic*
	5204 - Anthracite-metallic*

\*Not Ral referenced – manufacturers own colour reference



### External shading – aluminium roller blind

- 230V tubular motor operation
- Max permissible wind speed (extended): 80 km/h (= 22 m/s)
- Warning: Leave blind retracted and do not use in snowy / frosty conditions
- Not available for 1800x1800mm roof opening size version

### Standard Frame and Roller Box Colours:

Ral 9006 – White Aluminium
Ral 8019 – Grey Brown
DB 703 – Iron Mica Grey

### Standard slat colours: (only available in the 3 combinations listed below)

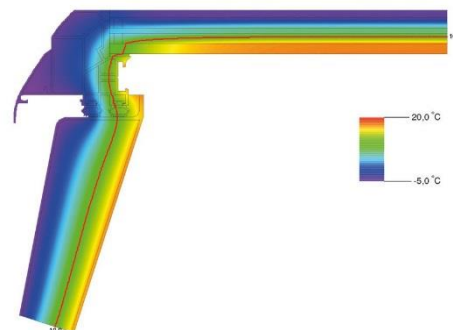
1. RAL 7035 – Light Grey (inside) and DB 703 – Iron Mica Grey (outside)
2. RAL 7035 – Light Grey (inside) and Ral 8019 – Grey Brown (outside)
3. RAL 9016 – Traffic White (inside) and Ral 9016 – Traffic White (outside)

## Performance.

For full product performance specification available on request.

- CE marked quality according to EN 1873.
- Life Cycle Assessment (LCA) to EN 15804.
- Airtight to Class 4, EN 12207.
- Water tightness to Class 4 according to BS EN 12208.
- Wind Load to Class C4, EN 12210.
- CWCT Class 2 Non-fragile / TN92 deemed to conform (subject to confirmation of dimensions)
- Thermally broken:  $10^\circ$  isothermal line remains within the structure (see diagram)

### Isothermal line diagram



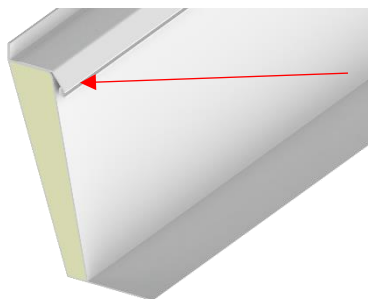
## Delivery, packing and storage.

All deliveries, unless otherwise agreed in writing, are by road transport and subject to our standard delivery terms, which are available within the document: 'Company overview and standard delivery and installation terms.' Off-loading is the responsibility of the buyer. Details of packing and safe storage are also included in this document.

## Interface and fitting.

Installation service, available on request. Subject to our standard installation terms, which are available within the document: 'Company overview and standard delivery and installation terms.' Installation guide available, please contact LAMILUX UK.

Flat roofing membrane or roof covering can be conveniently terminated by others under the drip detail at the top of the upstand to complete the weathertight assembly.



Please call to discuss contract/site specific install requirements.