

LAMILUX Smoke Lift Glass Skylight FE 0°.

Technical data sheet.

FE 0° is for use on pitch roofs from 3° - 10°
If the roof pitch is <3°, request the LAMILUX FE 3° system that has pitch inclination built into the frame to ensure water run off.



Technical data.

- Opening angles: SHEVS: 165° +/-5°
- Opening angles: Ventilation: 15° and 30°
- Opening time SHEVS: < 60 seconds
- Operating temperature: -15°C - 75°C
- Operating voltage: 24v / 7.5A or 48v / 3A
- Colour (Motor): As standard supplied mill-finish galvanised: powder coating to a standard RAL colour upon request
- Snow loads from SL 1000 to SL 2000 (dependent on rooflight size and weight)
- Reliability: RE 1,000 SHEV cycles / 10,000 natural ventilation cycles

The Smoke Lift Glass Skylight FE 0° combines all the advantages of the Glass Skylight FE with the safety features of an EN 12101-2 certified electrical smoke and heat exhaust ventilator. It is suitable for flat roof residential and administrative or school building projects and achieves high levels of wind and rain resistance, excellent air tightness and thermal insulation values and snow loads from SL 1000 to SL 2000. With multi stage ventilation fitted as standard, it provides safety in the event of a fire, and comfort for everyday use.

Installation suitability.

Suitable for flat roofs from 3° up to an inclination of up to 10° pitch hinged on any chosen side.
If the roof pitch is <3°, request the LAMILUX FE 3° system that has pitch inclination built into the frame to ensure water run off.

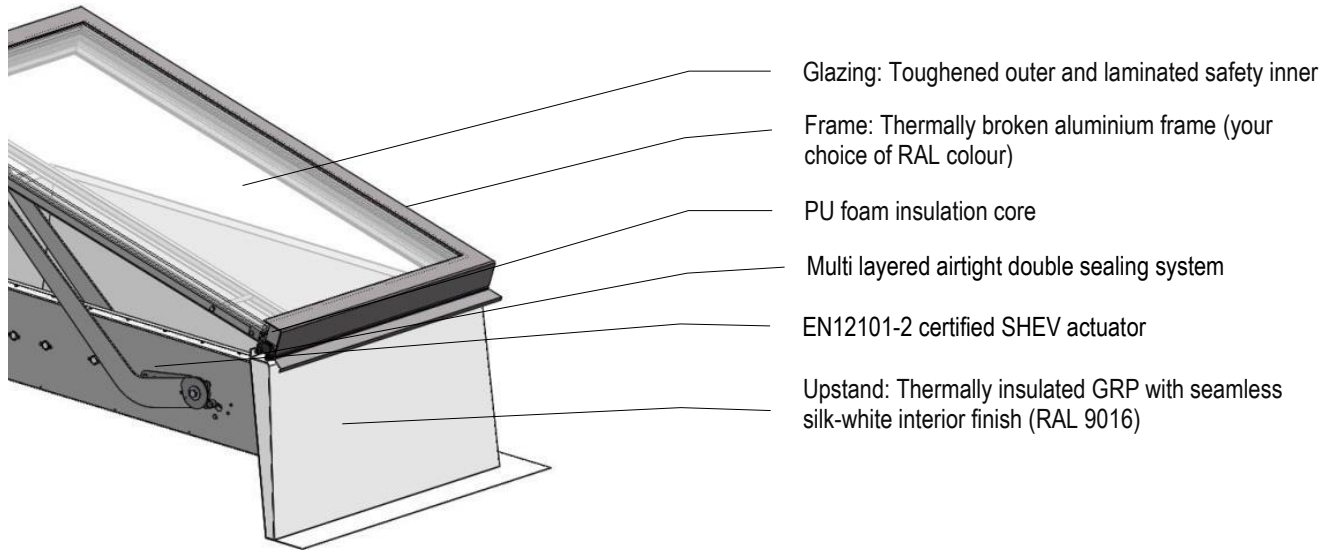
Ventilation function.

A SHEV control system is required to operate the ventilation function.
If this option is required, please request this prior to ordering and contact LAMILUX UK for operation details. The ventilation function has 2 opening positions; stage 1 (opening angle approx. 15°) and stage 2: (opening angle approx. 30°)

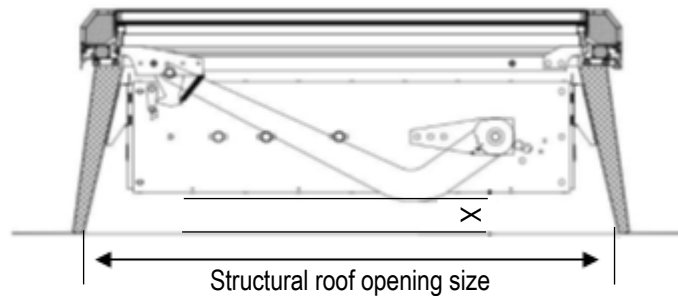


Monitoring by wind and rain detectors is possible.

Materials.



Dimensions, aerodynamic free area values, snow loads and motors.

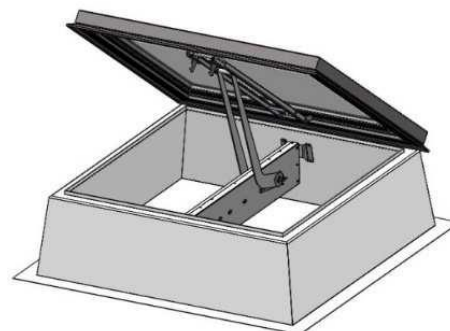


Nominal size (mm)	Dimension X (mm)			SHEV Component weight (kg)
	Note: Negative value means that there will be an overhang / fixing will stick out.			
	300mm high upstand	400mm high upstand	500mm high upstand	
1000	-25	75	175	24
1200	-25	75	175	26.5
1250	-25	75	175	27.5
1400	-25	75	175	29
1500	-25	75	175	30.5

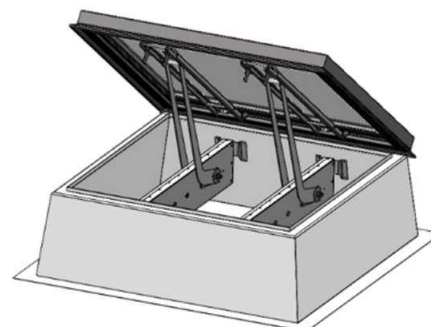
Dimensions: inclined version

Available structural roof opening sizes (mm)	Fitting	Afa value (m ²)	SL class (min. value)
1000 x 1000	solo	0.60	SL 2000
1000 x 1500	solo	0.90	SL 1700
1000 x 2000*	solo	1.24	SL 1200
	tandem	1.20	SL 2000
1000 x 2400	tandem	1.44	SL 2000
1000 x 2500	tandem	1.53	SL 2000
1000 x 3000	tandem	1.83	SL 1700
1200 x 1200	solo	0.88	SL 1800
1200 x 1500	solo	1.12	SL 1350
1200 x 1800*	solo	1.36	SL 1100
	tandem	1.30	SL 2000
1200 x 2400	tandem	1.79	SL 1800
1200 x 2500	tandem	1.86	SL 1600
1200 x 3000	tandem	2.23	SL 1350
1250 x 1250	solo	0.97	SL 1600
1250 x 2500	tandem	1.94	SL 1650
1400 x 1400*	solo	1.22	SL 1317
	tandem	1.18	SL 2000
1500 x 1500*	solo	1.42	SL 1050
	tandem	1.35	SL 2000
1500 x 1800	tandem	1.65	SL 1950
1500 x 2000	tandem	1.86	SL 1700
1500 x 2100	tandem	1.98	SL 1600
1500 x 2400	tandem	2.27	SL 1350
1500 x 2500**	tandem	2.36	SL 1300
1500 x 3000**	tandem	2.84	SL 1050

Solo motor:



Tandem motor:



Dimensions: steep version

Available structural roof opening sizes (mm)	Fitting	Afa value (m ²)	SL class (min. value)
1000 x 1500	solo	1.08	SL 1518
1200 x 1200	solo	1.02	SL 1599
1500 x 1500*	solo	1.62	SL 1000
	tandem	1.58	SL 2000



solo motor:



tandem motor:

Steep geometry always with 2 GRP wind deflectors.
GRP wind deflector height: 1200 x 1200: 100mm.
1500 x 1500: 200mm

* SHEV fitting depends on the glazing: Double glazing > solo. Triple glazing > tandem

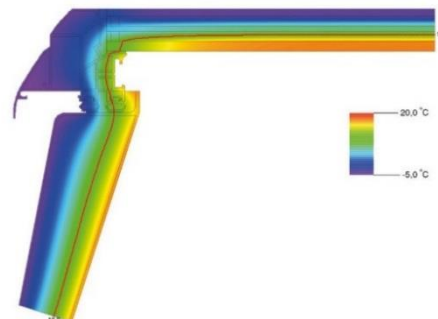
** Only available with double glazing

Performance.

For full product performance specification available on request.

- CE marked quality according to EN 1873.
- Life Cycle Assessment (LCA) to EN 15804.
- Airtight to Class 4, EN 12207.
- Water tightness to Class 4 according to BS EN 12208.
- Wind Load to Class C4, EN 12210.
- Options available: non-fragility (please call for more information)
- Thermally broken: 10° isothermal line remains within the structure (see diagram)

Isothermal line diagram



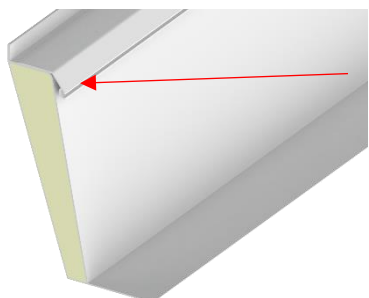
Delivery, packing and storage.

All deliveries, unless otherwise agreed in writing, are by road transport and subject to our standard delivery terms, which are available within the document: 'Company overview and standard delivery and installation terms.' Off-loading is the responsibility of the buyer. Details of packing and safe storage are also included in this document.

Interface and fitting.

Installation service, available on request. Subject to our standard installation terms, which are available within the document: 'Company overview and standard delivery and installation terms.' Installation guide available, please contact LAMILUX UK.

Flat roofing membrane or roof covering can be conveniently terminated by others under the drip detail at the top of the upstand to complete the weathertight assembly.



Please call to discuss contract/site specific install requirements.