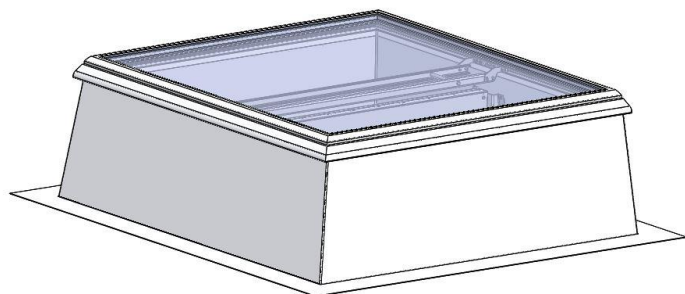


# LAMILUX Smoke Lift Glass Skylight F100.

## Technical data sheet.



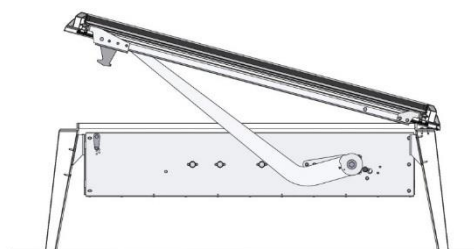
The Smoke Lift Glass Skylight F100 combines all the advantages of the F100 Glass Skylight with the safety features of an EN 12101-2 certified electrical smoke and heat exhaust ventilator. It is suitable for flat roof residential and administrative or school building projects and achieves high levels of wind and rain resistance, excellent air tightness and thermal insulation values. With multi stage ventilation fitted as standard, it provides safety in the event of a fire, and comfort for everyday use.

## Installation suitability.

Suitable for flat roofs, and roofs up to a 10° pitch hinged on any chosen side.

## Ventilation function.

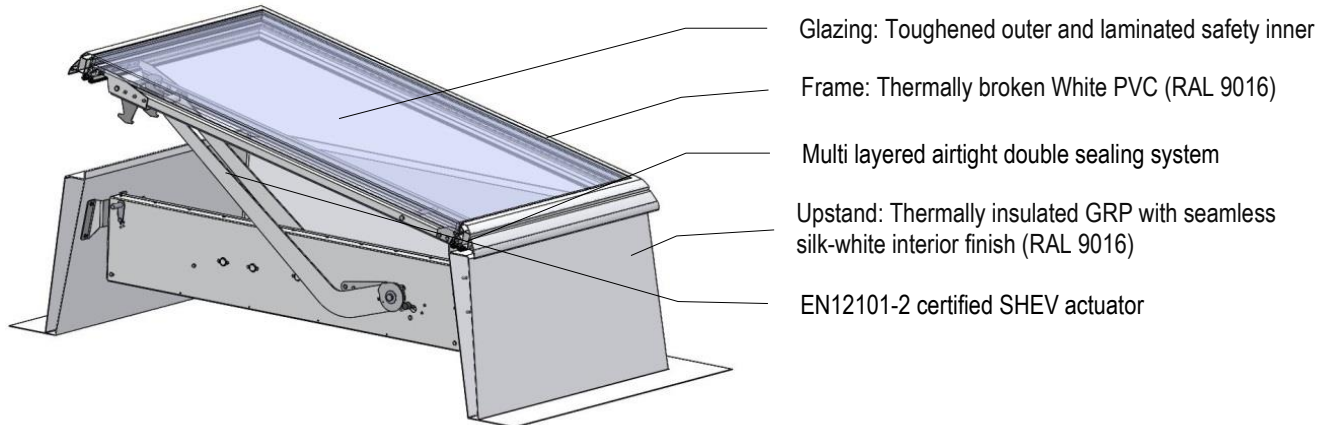
A SHEV control system is required to operate the ventilation function. If this option is required, please request this prior to ordering and contact LAMILUX UK for operation details. The ventilation function has 2 opening positions; stage 1 (opening angle approx. 15°) and stage 2: (opening angle approx. 30°) Monitoring by wind and rain detectors is possible.



## Technical data.

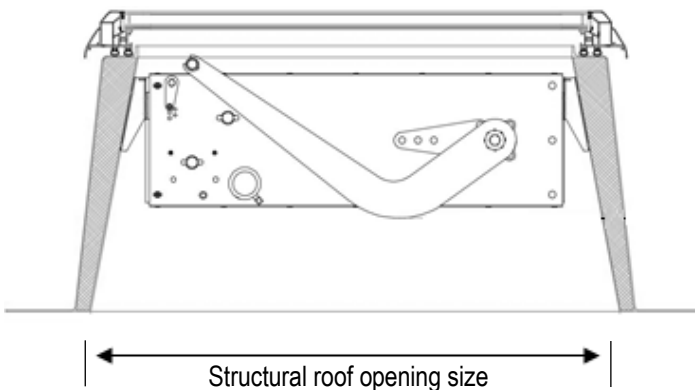
- Opening angles: SHEVS: 165° +/-5°
- Opening angles: Ventilation: 15° and 30°
- Opening time SHEVS: < 60 seconds
- Operating temperature: -15°C - 75°C
- Operating voltage: 24v / 7.5A or 48v / 3A
- Colour (Motor): As standard supplied mill-finish galvanised: powder coating to a standard RAL colour upon request
- Reliability: RE 1,000 SHEV cycles / 10,000 natural ventilation cycles

## Materials.

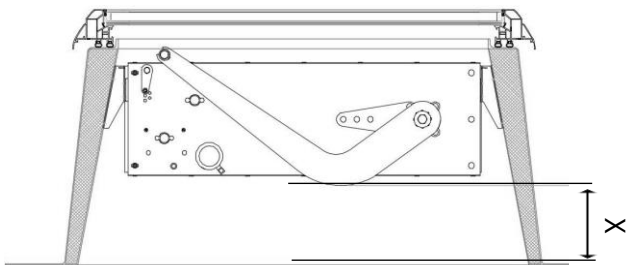


## Dimensions, Aerodynamic free area values and Snow load classes.

For installation inclinations from 0 ° to 10 °



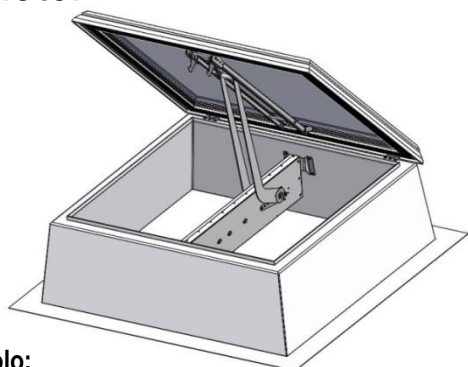
Available structural roof opening sizes (mm)	Afa value (m <sup>2</sup> )	SL classes EN12101-2 (min. value)
1000 x 1000	0.60	2000
1000 x 1500	0.90	1700
1200 x 1200	0.88	1800
1200 x 1500	1.12	1350
1250 x 1250	0.97	1600
1400 x 1400	1.22	1278
1500 x 1500	1.42 – double glazing	1050 – double glazing
	1.35 – triple glazing	2000 – double glazing



Nominal size (mm)	Dimension X (mm)		
	300mm high upstand	400mm high upstand	500mm high upstand
1000	-25	75	175
1200	-25	75	175
1250	-25	75	175
1400	-25	75	175
1500	-25	75	175

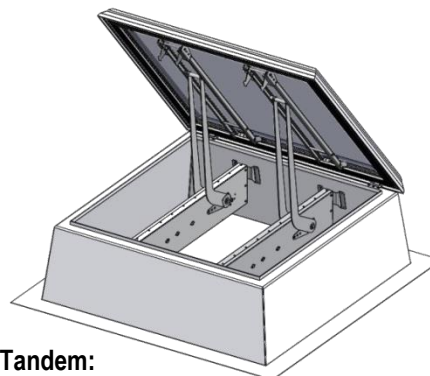
Note: Negative value means that there will be an overhang / fixing will stick out.

## Motor.



### Solo:

Available in all double glazed sizes.  
Available in triple glazed sizes up to 1400x1400mm.



### Tandem:

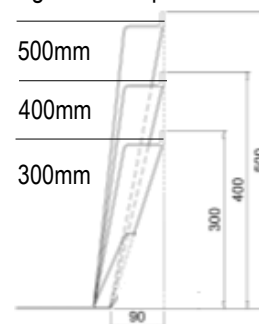
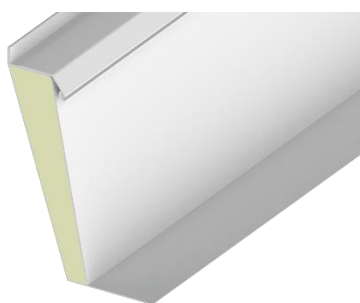
Available in triple glazed, size 1500x1500mm.

## Weights.

Structural roof opening size (mm)	300mm upstand		400mm upstand		500mm upstand	
	Double glazed	Triple glazed	Double glazed	Triple glazed	Double glazed	Triple glazed
1000 x 1000	c. 76 kg	c. 84 kg	c. 80 kg	c. 88 kg	c. 84 kg	c. 92 kg
1000 x 1500	c. 97 kg	c. 109 kg	c. 102 kg	c. 114 kg	c. 107 kg	c. 119 kg
1200 x 1200	c. 97 kg	c. 110 kg	c. 102 kg	c. 115 kg	c. 107 kg	c. 120 kg
1200 x 1500	c. 111 kg	c. 127 kg	c. 117 kg	c. 133 kg	c. 122 kg	c. 138 kg
1250 x 1250	c. 104 kg	c. 117 kg	c. 109 kg	c. 122 kg	c. 114 kg	c. 127 kg
1400 x 1400	c. 120 kg	c. 138 kg	c. 125 kg	c. 143 kg	c. 132 kg	c. 150 kg
1500 x 1500	c. 134 kg	c. 185 kg	c. 140 kg	c. 191 kg	c. 147 kg	c. 198 kg

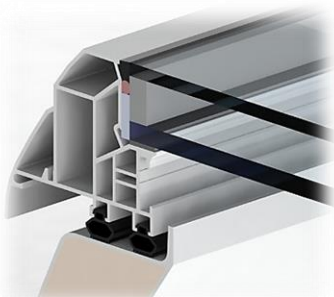
## Upstand.

Upstand is delivered pre-assembled to the upper part for quick and easy site installation. PVC cap flashing on GRP upstand as standard. Standard upstand in a choice of heights: 300mm / 400mm / 500mm.

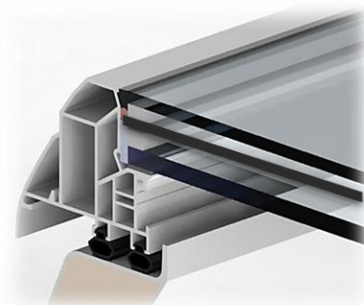


## Upper part.

Glazing structurally bonded into the frame giving a flush edge finish, creating an unobstructed drain for rainwater and removal of dirt and debris build up at the sill.



Double glazed



Triple glazed

## Performance.

For full product performance specification available on request.

- CE marked quality according to EN 1873.
- Life Cycle Assessment (LCA) to EN 15804.
- Airtight to Class 4, EN 12207.
- Water tightness to Class 4 according to BS EN 12208.
- Wind Load to Class C4, EN 12210.
- CWCT Class 2 Non-fragile
- Thermally broken: 10° isothermal line remains within the structure (see diagram)

Isothermal line diagram



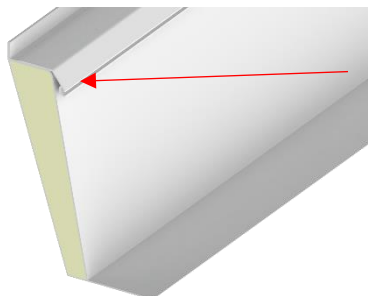
## Delivery, packing and storage.

All deliveries, unless otherwise agreed in writing, are by road transport and subject to our standard delivery terms, which are available within the document: 'Company overview and standard delivery and installation terms.' Off-loading is the responsibility of the buyer. Details of packing and safe storage are also included in this document.

## Interface and fitting.

Installation service, available on request. Subject to our standard installation terms, which are available within the document: 'Company overview and standard delivery and installation terms.' Installation guide available, please contact LAMILUX UK.

Flat roofing membrane or roof covering can be conveniently terminated by others under the drip detail at the top of the upstand to complete the weathertight assembly.



Please call to discuss contract/site specific install requirements.